

## Product Information

Suitcases latches are manufactured and available in either stainless steel or zinc.

### Mounting Options:

- B no holes
- H holes

### Available Material

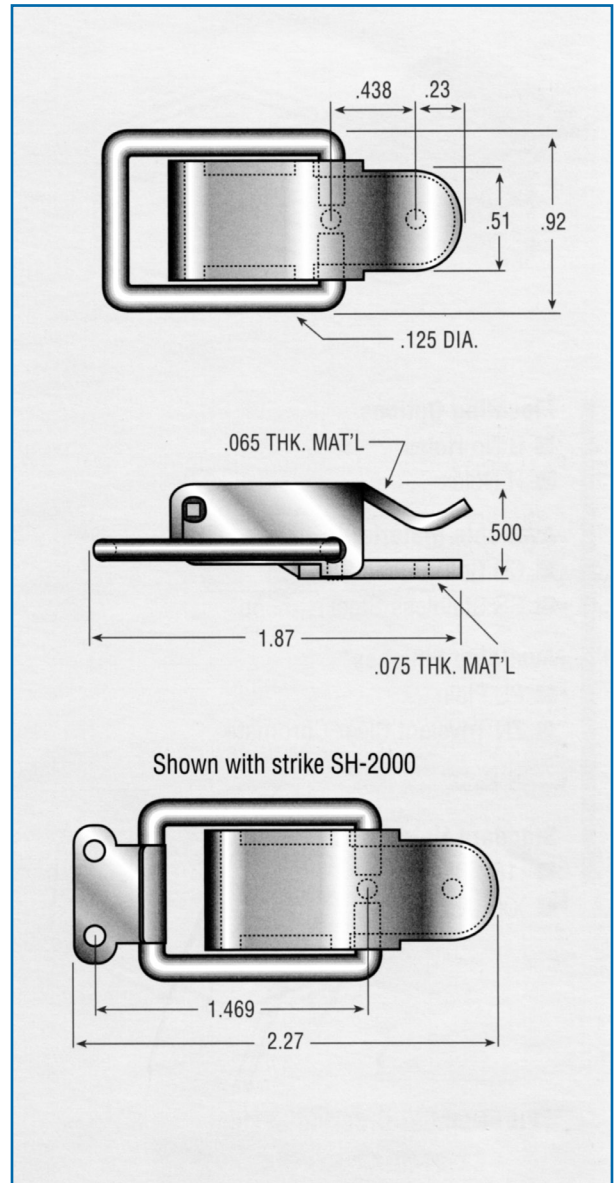
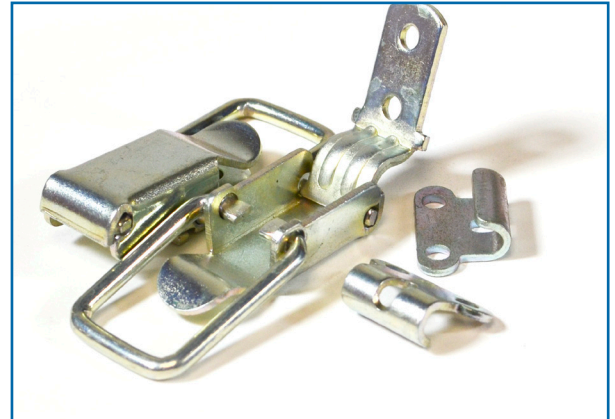
- CR cold rolled steel
- SS Stainless steel

### Available Finishes

- Pl Plan
- Zinc

### Standard Hole Sizes

- .130 Dia hole
- .144 Dia hole



Subject to price change and availability.

For more information on GLT Products, please call toll-free at 800.874.1748 or online at [www.gltproducts.com](http://www.gltproducts.com).