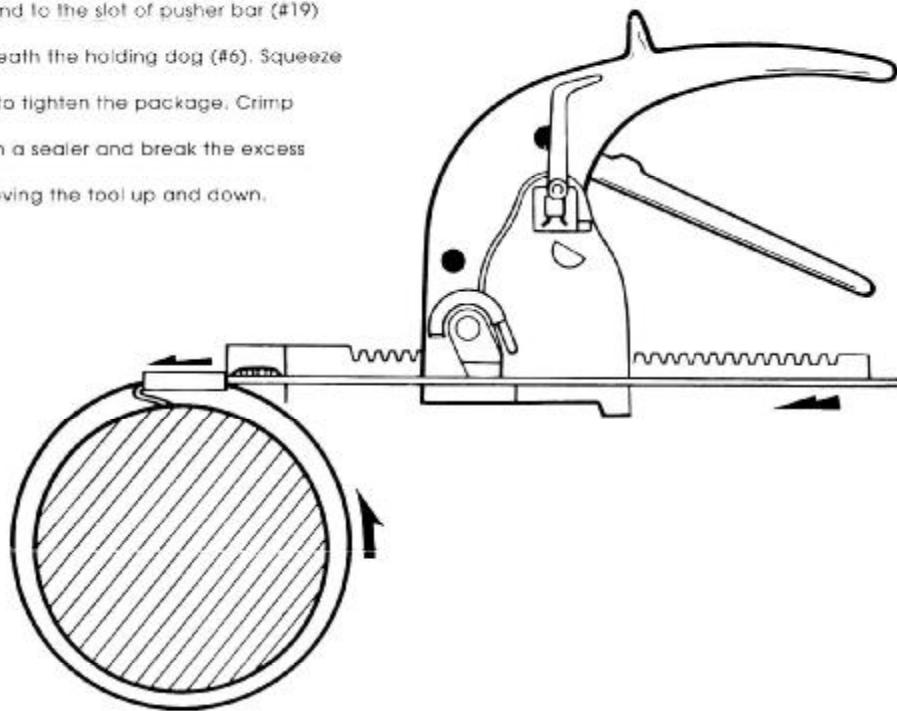


Instructions for Operating Pusher Bar Tensioner

- 1) Insert band through a closed seal and pass the end of the band under the package. Thread again the band through the seal under the top band. Then bend the end of band back and under the seal.



- 2) Slide the band to the slot of pusher bar (#19) and underneath the holding dog (#6). Squeeze the handle to tighten the package. Crimp the seal with a sealer and break the excess band by moving the tool up and down.



Keep the tool well oiled, and the screws and bolts tight.

PUSHER BAR TENSIONER

PART NO.	PART NAME	QTY/ TOOL
# 1	Pusher Bar Ratchet Wheel	1
# 2	Pulling Ratchet Wheel	1
# 3	Holding Pawl	1
# 4	Pin	1
# 5	Spring Pin	1
# 6	Holding Dog	1
# 6A	Holding Dog Shaft	1
# 6B	Shaft Set Screw	2
# 7	Spring	1
# 8	Long Spring	1
# 9	Release Shaft	1
# 9A	YL Pin	1
# 10	Release Handle	1
# 11	Bolt	4
# 12	Bolt	1
# 12A	Washer	1
# 13	Cover Plate	1
# 14	Pulling Pawl	1
# 15	Pin	1
# 16	Handle	1
# 17	Pin	1
# 18	Cover	1
# 19	Pusher Bar	1

